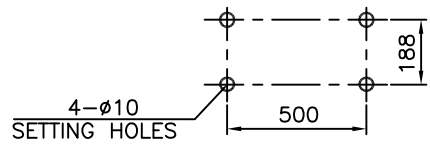
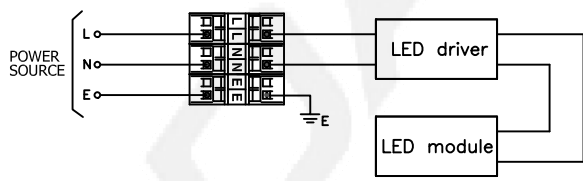
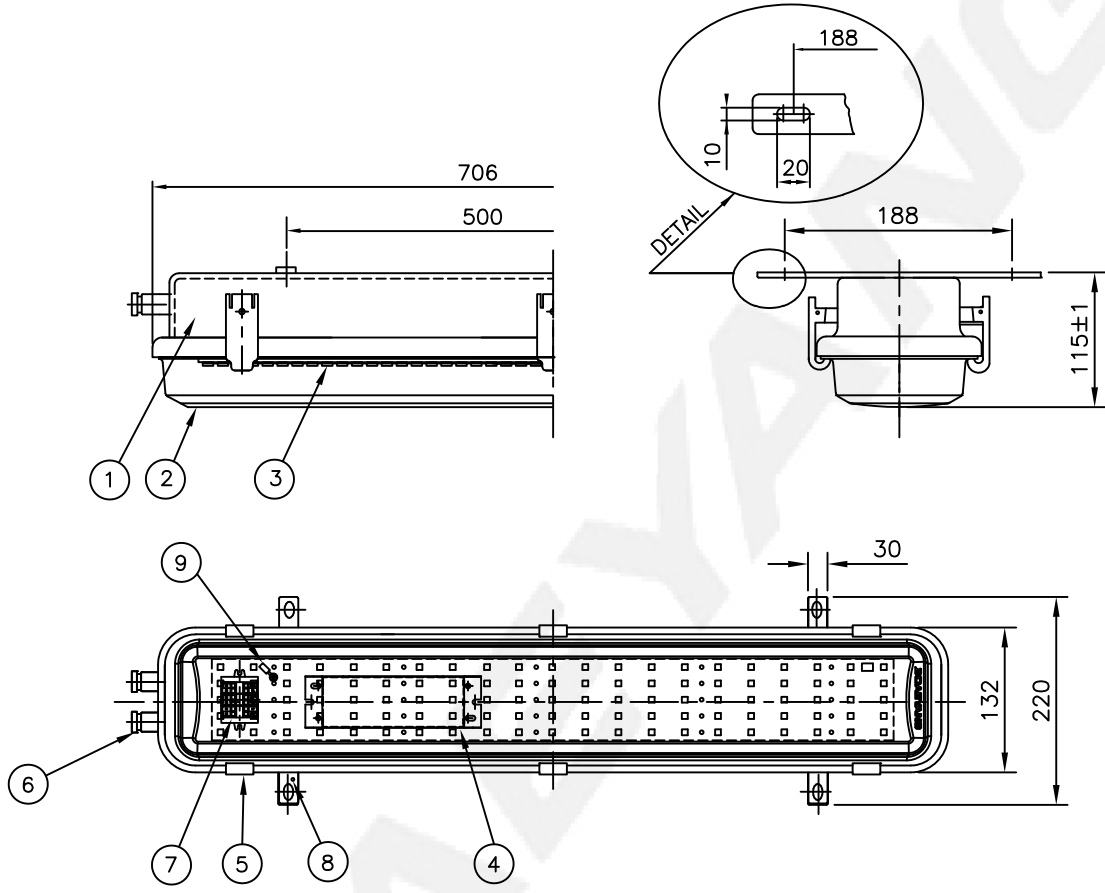


CAPACITY	SYMBOL/ SERIAL NO.	CIRCUIT DIAGRAM
AC100-240V, 50/60Hz		
25W		



CIRCUIT DIAGRAM

SETTING DIMENSION

9	INSIDE EARTH BOLT	STAINLESS STEEL304	1	M4	5	LATCH	STAINLESS STEEL316L	6	
8	OUTSIDE EARTH BOLT	STAINLESS STEEL304	1	M5	4	LED driver	-	1	
7	TERMINAL BLOCK	-	1	CLAMPING 3P (2.5sq)	3	LED module	-	1	4,000±300K
6	GLAND GLAND	-	2	ø12~ø14	2	GLOBE	POLYCAR-BONATE	1	MILKY
					1	BODY	STAINLESS STEEL316L	1	
NO	NAME OF PARTS	MATERIAL	Q'TY	REMARKS	NO	NAME OF PARTS	MATERIAL	Q'TY	REMARKS

APPROVED	B. K. KIM	UNIT	MM
CHECKED	W. J. JI	SCALE	N/S
DRAWING	B. I. KIM	COLOR	N-9.3
DATE	2018.09.11	IP	66/67

TITLE;			
LED CEILING LIGHT			
(SURFACE TYPE)			
FOR MARINE USE			



MODEL NO.	LEB125WS-0550UWNM2GLw14QC40	WEIGHT	4.5 Kg
DWG NO.	LO1450192	SHEET NO.	1